

**Description**

The TT-FLAT PROBE is a special purpose probe designed to detect water leaks in specific locations. It is intended to be floor or tray mounted, using either screw or adhesive attachment. The unit has an orange color to promote visibility in the installed location.

The TT-FLAT PROBE can detect water leaks in low spots, drip trays or sumps, where TraceTek<sup>®</sup> sensing cables are inappropriate. The TT-FLAT PROBE is designed to be integrated as a part of a larger TraceTek leak detection system.

When mounted on a metal surface (e.g. a drip pan) and with sensor tip height adjusted very close to floor surface, minimum water depths of approximately 0.2 in (5 mm) may be required for leak detection. If the TT-FLAT PROBE is mounted on an insulating surface, minimum water depths of approximately 0.5 in (12.7 mm) may be required for leak detection.

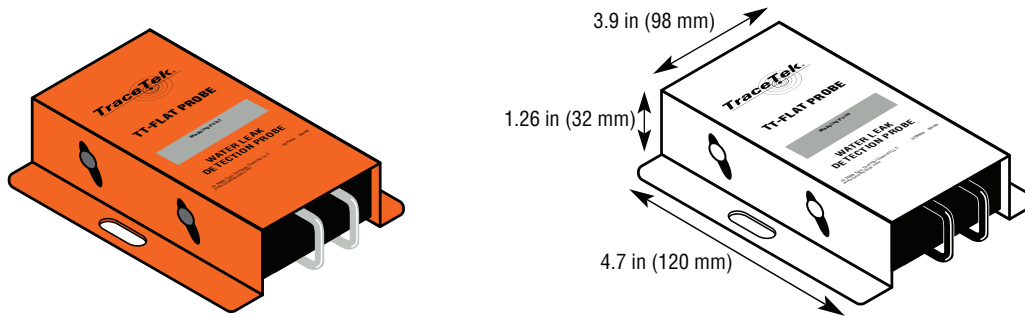
The TT-FLAT PROBE can be interconnected with jumper cable to other TT-FLAT PROBE or TraceTek sensing cable segments, and be monitored by a TraceTek TTDM-128 or TT-SIM module.

**Simple and Easy to Use**

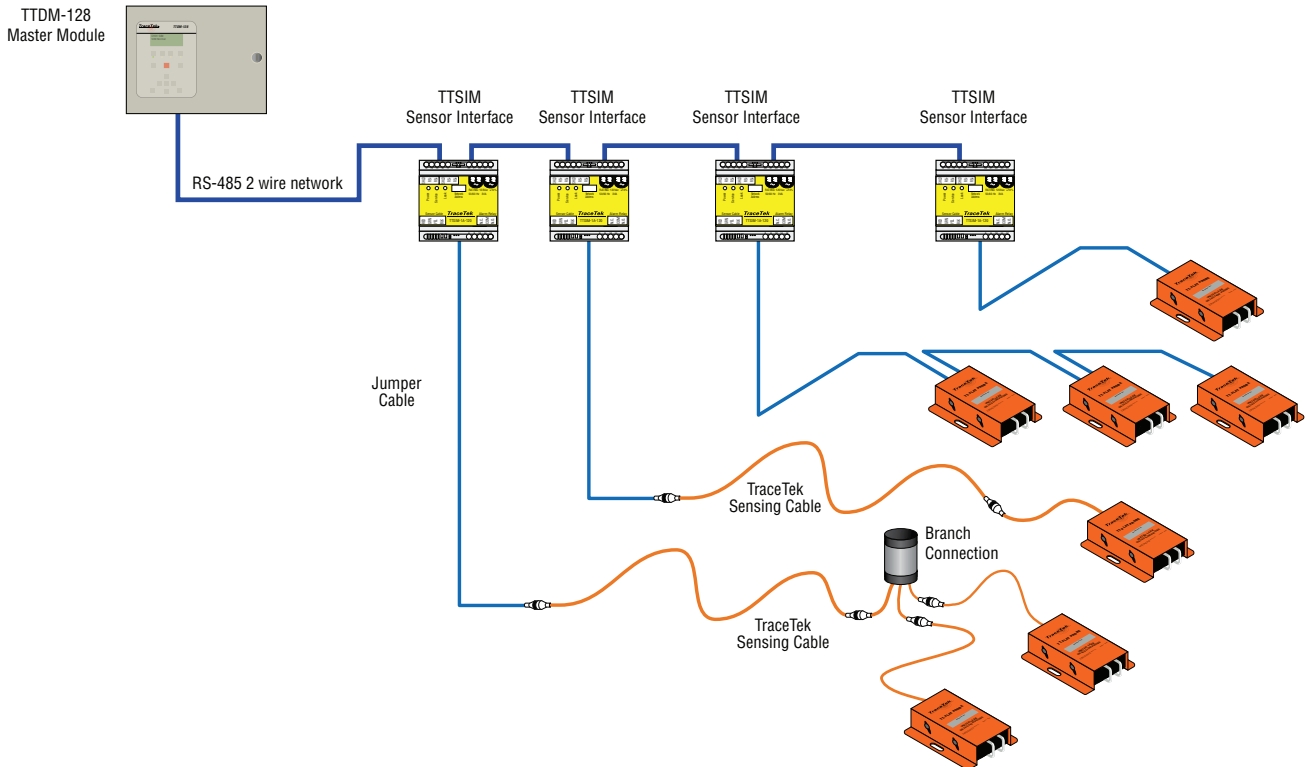
The TT-FLAT PROBE is compatible with all TraceTek 1000 system components.

Leak detection system design is very flexible with the TT-FLAT PROBE and TraceTek leak detection cable.

The Illustration below shows several possible leak detection circuits constructed from the TT-FLAT PROBE and TraceTek leak detection cable being monitored by a TraceTek TTDM-128 and TTSIM modules.



**Potential Configuration Example**



## TT-FLAT PROBE

Ordering information	Catalog Number	P/N	Description
	TT-FLAT PROBE	P000001074	Water leak detection probe

Product Characteristics		
Dimensions		4.7 in L x 3.8 in W x 1.3 in H (120 mm L x 98 mm W x 32 mm H)
Weight		0.4 lb nominal
Shroud		Epoxy coated aluminum, orange
Probes		316 Stainless steel
Probe height above mounting surface		Adjustable
Housing		Black PVC
Maximum ambient temperature		122°F (50°C)
Minimum ambient temperature		32°F (0°C)
Connections		4-wire TraceTek jumper cable to terminal strip
Minimum water depth to trigger leak		0.2 in (5 mm) on metal surface*
Minimum water depth to trigger leak		0.5 in (12.7 mm) on insulating surface*

\*With sensor tip height close to mounting surface but not touching

**Important:** All information, including illustrations, is believed to be reliable. Users, however, should independently evaluate the suitability of each product for their particular application. Tyco Thermal Controls makes no warranties as to the accuracy or completeness of the information, and disclaims any liability regarding its use. Tyco Thermal Controls' only obligations are those in the Tyco Thermal Controls Standard Terms and Conditions of Sale for this product, and in no case will Tyco Thermal Controls or its distributors be liable for any incidental, indirect, or consequential damages arising from the sale, resale, use, or misuse of the product. Specifications are subject to change without notice. In addition, Tyco Thermal Controls reserves the right to make changes—without notification to Buyer—to processing or materials that do not affect compliance with any applicable specification.



**Raytech** VertriebsgmbH  
Industriestrasse B-4  
A-2345 Brunn/Gebirge  
T. +43 2236 90300  
F. +43 2236 90300/1099  
sales@tracetek.at  
www.tracetek.at

**Raytech** Vertriebsbüro West  
Veilchenweg 13  
A-4210 Gallneukirchen  
T. +43 7235 66910  
F. +43 7235 66911  
sales@tracetek.at  
www.tracetek.at