



The **TraceTek iServer** is the simplest, easiest, most economical way to connect TraceTek Sensor Interface Modules (TT-SIM) to an Ethernet network and the Internet. When you type its name in a Web Browser, it serves customized TraceTek web pages that let you quickly and easily determine the status of your TraceTek leak detection system without any special software.

Getting started with the **TraceTek iServer** is simple and easy because it can take a dynamically assigned IP address from a DHCP server on your network. This DHCP client capability is a valuable and unique feature of the **TraceTek iServer** that makes it extremely easy and simple to start using this device on almost any Ethernet network. And, you can easily assign a static IP address to the iServer instead of a dynamic one, if necessary.

The **TraceTek iServer** connects up to 8 TT-SIM devices to an Ethernet Network with a standard network connector. The individual TT-SIM units are connected to the TraceTek iServer with a twisted pair, RS-485 two-wire network. The TT-SIM units can be mounted adjacent to the iServer or located thousands of feet away if necessary, but in most cases the iServer provides an opportunity to take advantage of the installed Ethernet and thereby minimize additional wiring costs.

When used in conjunction with a TTDM-128 Alarm Panel, the iServer can “see through” the TTDM and provide a separate remote status screen.

Since most leak detection systems are used for long term monitoring, the **TraceTek iServer** comes with a free companion Windows application. This companion application is installed on any Windows computer that is also connected to the LAN. The function of this software is to monitor all of the TraceTek iServers in your facility for leak detections or other alarm conditions. If an alarm condition is detected by one of the TT-SIM units, the iServer informs the monitor program and the monitor program will immediately send an email notification to up to five recipients. The recipients can be pagers, cell phones or normal email accounts.

If a leak in one of your facilities is detected, the right people will be informed within a few seconds. They can then use any PC with access to the LAN and use a standard Web Browser to get detailed status information including the leak location to the nearest meter.

- Connects TT-SIM units to an Ethernet network and the Internet.
- Replaces dedicated wiring and PC's.
- Includes Windows based monitor and email notification to pager and mobile phones.
- Use any browser to view status, leak locations, etc.
- Simple industry standard connectivity to LAN and WAN using DHCP and HTTP protocol.
- 24V DC power
- Password protected.
- DIN Rail Mounting.



**TraceTek Midco Terminal**

No.	SIM Channel	Channel ID	Current Status	Leak (Feet)
1	1	Pipe Section 1	NORMAL	--
2	3	Valve Manifold	LEAK	0
3	4	Tank 1 Sump	NORMAL	--
4	5	Tank 2 Sump	TRICKLE	--
5	--	-----	---	--
6	1	Auxiliary tank	NORMAL	--
7	3	tank 1 north	LEAK	0
8	--	-----	---	--

Click on device no. on left to modify SIM configuration.  
 Firmware Version: test TT 0x

**Ordering Information**

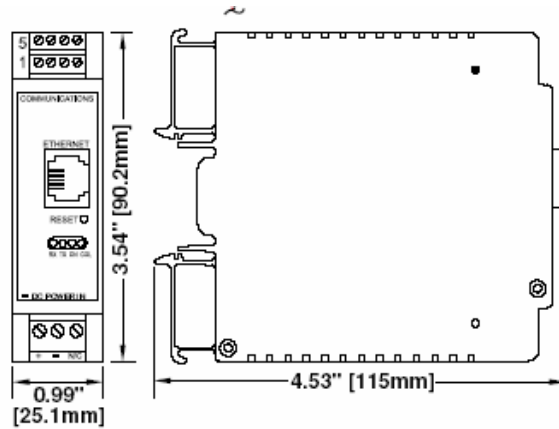
**Catalog Number**

**Description**

TT-EIS-2B

TT-iServer  
SIM to Ethernet bridge, 24VDC

<b>General Features</b>	<b>Serial Interface to SIM units</b>	SIM Interface: RS-485 s-wire Connector: 2 screw terminal plug SIM Data Rate: 9600 Baud
	<b>Network Interface</b>	Interface: Ethernet 10Base-T Connector: RJ-45 LAN Cable Protocols: DHCP, HTTP, TCP/IP
	<b>Indicators</b>	Network Activity Network Link Serial Port Tx/Rx
<b>Digital</b>	CPU Memory Configuration Web Service	Enhanced 8051, 22 MHz Sufficient for 8 SIM units Via built-in web interface Customer TraceTek Status pages
<b>Power</b>	Input Voltage Power	10-32VDC 2 watt maximum
<b>Environmental ratings</b>	<b>Storage Temperature</b>	-40°C to +125°C
	<b>Operating Temperature</b>	0°C to +70°C
<b>Packaging</b>	Enclosure Rating	IP20
	Mounting Dimensions	DIN Rail 90.2mm x 25.1mm x 115.0mm (HxWxD) 3.54 x .99 x 4.53in
<b>Approvals</b>	FCC-B, C/UL, CE	



Important: All information, including illustrations, is believed to be reliable. Users, however should Independently evaluate the suitability of each product for their particular application. Raytech and Tyco Thermal Controls makes no warranty as to the accuracy or completeness of the information and disclaims any liability regarding its use.

Specifications are subject to change without notice. In addition Raytech Company reserves the right to make changes - without notification to Buyer - to processing material that do not affect compliance an applicable specification.



**Raytech** VertriebsgmbH

Industriestrasse B-4  
A-2345 Brunn/Gebirge  
T: +43 (0)2236 90300 0  
F: +43 (0)2236 90300 1099

[sales@raytech.at](mailto:sales@raytech.at)

**Raytech** Vertriebsbüro West

Veilchenweg 13  
A-4210 Gallneukirchen  
T: +43 (0)7235 66910  
F: +43 (0)7235 66911

[j.seitlinger@raytech.at](mailto:j.seitlinger@raytech.at)